



---

# LAUSD ITD Service Desk

## How to Locate Lexmark Printer Serial Numbers

---

(12/19/08)  
© LAUSD ITD Service Desk  
333 S. Beaudry Ave. 9<sup>th</sup> Floor  
Phone 213.241.5200

# Table of Contents

How to Locate Lexmark Printer Serial Number .....	2-5
Important IT Service Catalog Information .....	6

## How to Locate Lexmark Printer Serial Number

Click on any of the images below for detailed instructions.

### Lexmark E Series Printers



Open the front cover. The sticker is located inside the front cover

### Lexmark E120n



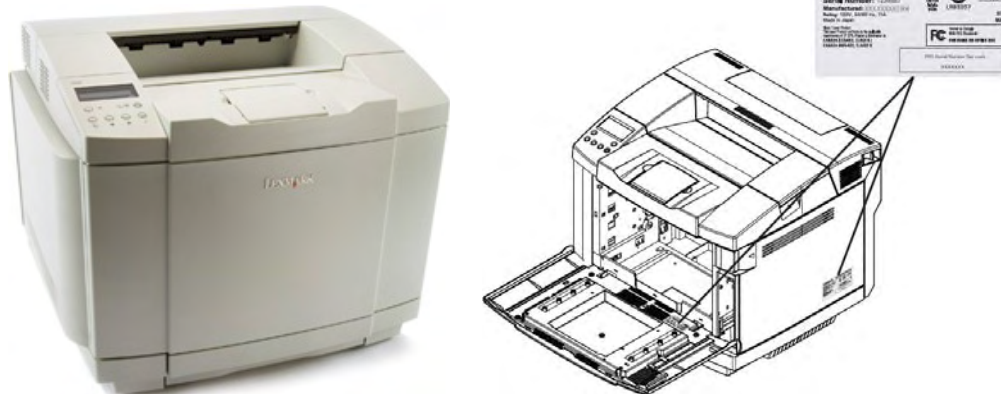
Open the front cover the serial number is located on a sticker inside of the printer

### Lexmark C540, C543 or C544 Color Laser Printer



Open the printer's front cover and serial number will be located on the left. Refer to image above.

### Lexmark C500



Open the front cover the serial number is located on a sticker inside of the printer

### Lexmark C935



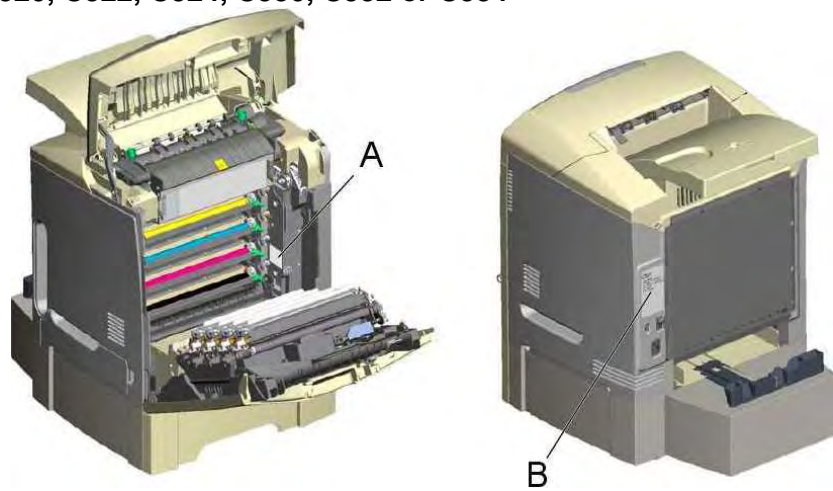
Open the front cover the serial number is located on a sticker inside of the printer

### Lexmark T420



The serial number is located on a sticker underneath the top cover. A second sticker is also located behind the printer.

**Lexmark C520, C522, C524, C530, C532 or C534**



Open the front cover the serial number is located on a sticker inside of the printer. The serial number is also located on back of the printer.

**Lexmark C750, C752, C760, C762, C770 or C772**



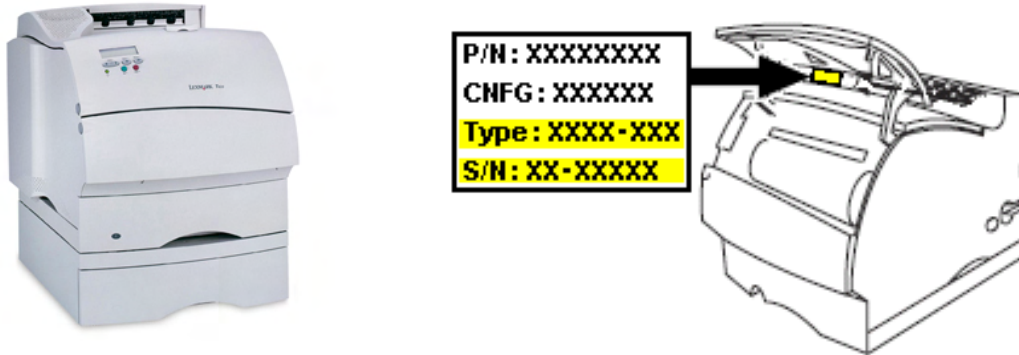
The serial number can be found in two separate locations on the printer. The first is behind the waste toner bottle access door on the lower left side of the printer. The second location is just behind the front jam-access door, just below the large front door covering the toner cartridges.

## Lexmark C920, C912 and C910



Open the front cover and look to the left of the black toner cartridge.

## Lexmark Optra S or OptraT Models (T430, T520, T610, T622, T630, T640 T644)



The Serial number can be found on a label on the inside of the top cover of the printer.

## How to Locate the Serial Number on a Lexmark T650, T652, or T654 Series Printer



Open the multipurpose feeder door and then open the upper front cover. Look for the serial number sticker towards the left-hand side of the printer. The serial number is also located on back of the printer in the lower right-hand side.

[Check Warranty Status](#)

## Important IT Service Catalog Information

Please note that as of May 30, 2008 only Intel Pentium 4 processor or higher are supported. Windows 2000 Operating System and newer (Vista is currently not supported).

*Also as of July 1, 2007, the following supplies are no longer provided by ITD:*

- *Keyboards*
- *Mice*
- *Monitors*
- *Laptop batteries*
- *AC power adapters*

**Please refer to the [Procedures for Obtaining IT Support & Repair for Various Electronic and Computer Equipment - REF-1657.2](#) & [IT Service Catalog](#) for additional information.**